

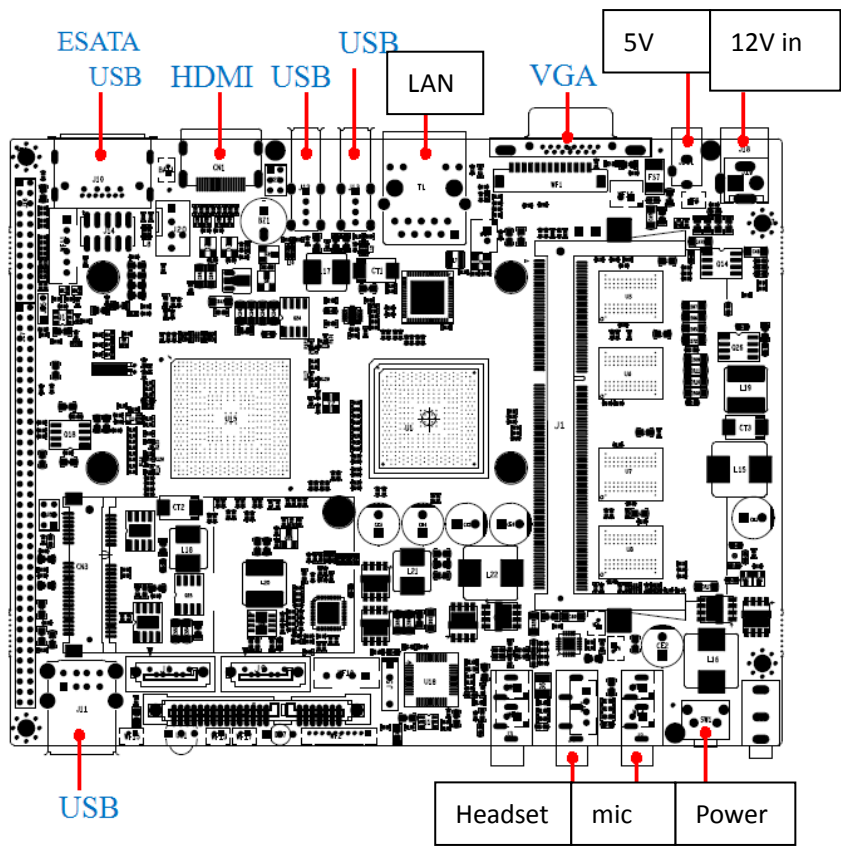


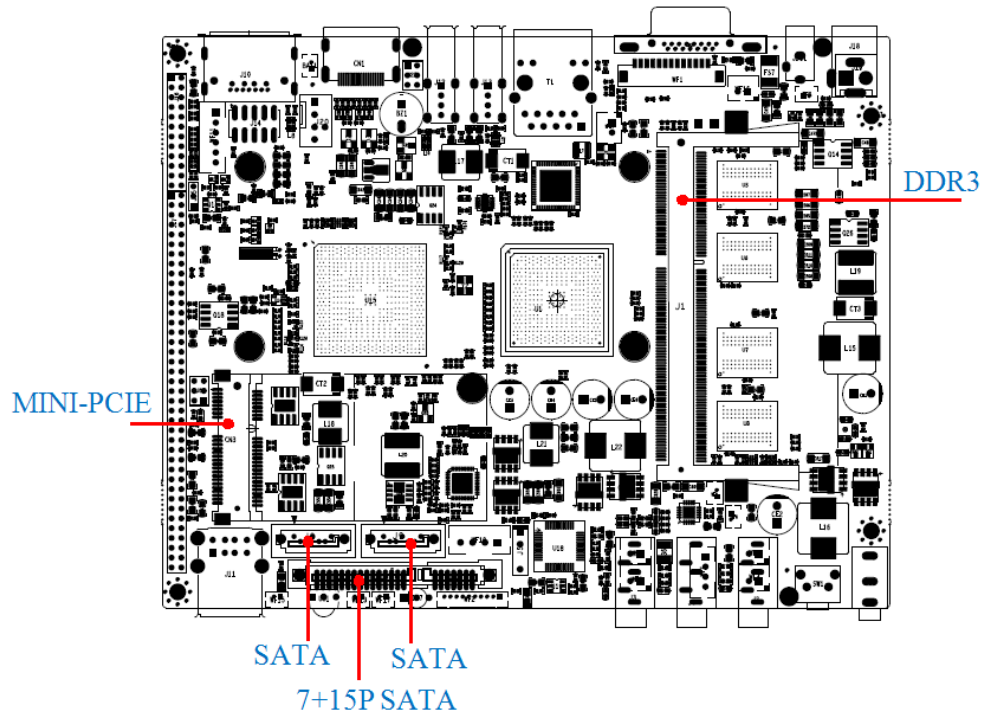
# Nano FUSION OH-X Jumper information

( V1.0 )

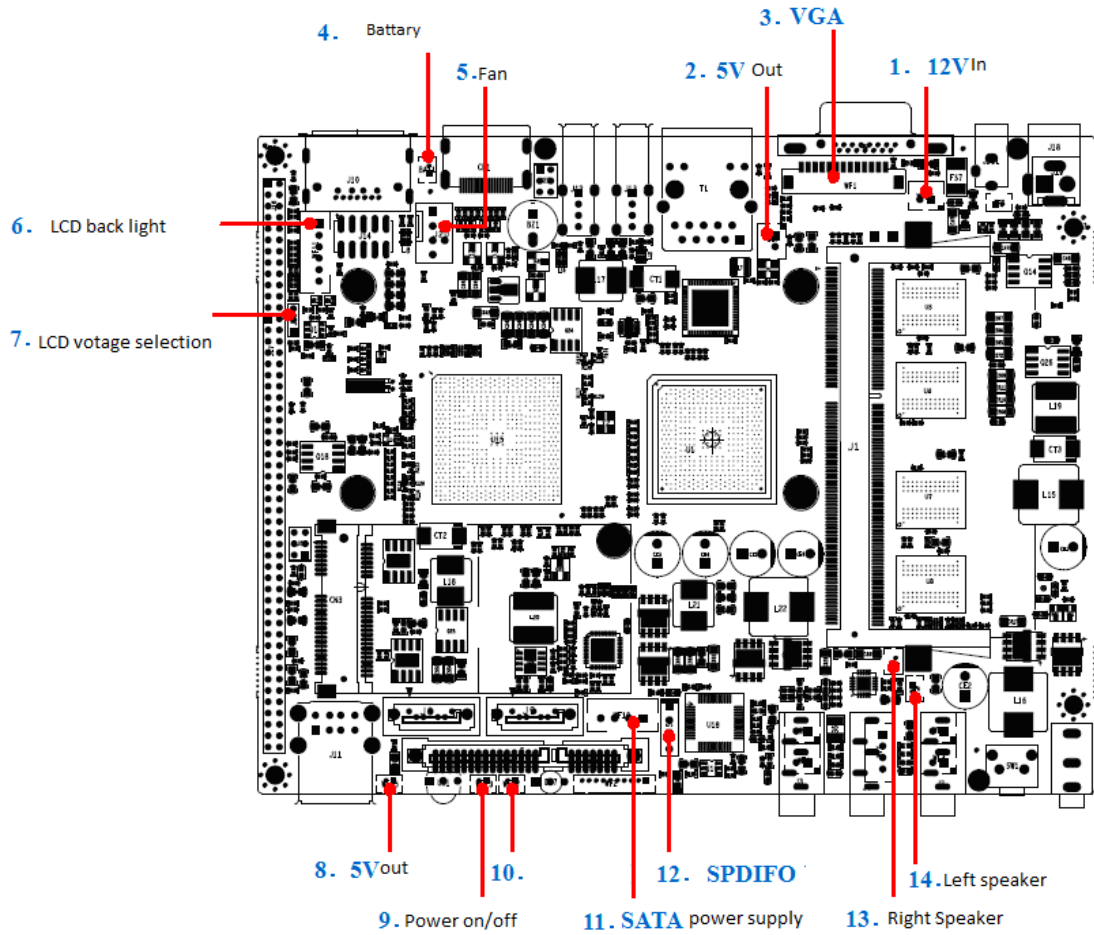
## User Manual

1. I/O





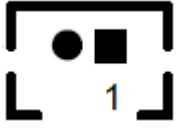
— . Inside jumper



Jumper selection :

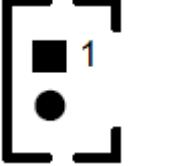
1 . 12V out

Support 12V power supply ;

	Pins	Signal
	1	12V
	2	GND


2 . 5V out

5V power supply

	Pins	Signal
	1	5V
	2	GND

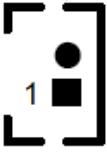
### 3 . VGA out put

The VGA out put signal is same as the VGA port out put .

 <p>13Pin 1.25mm wide</p>	Pins	Signal
	1	CRT_I2C_DAT
	2	CRT_I2C_CK
	3	GND
	4	CRT_HSYNC
	5	CRT_VSYNC
	6	GND
	7	CRT_RED
	8	GND
	9	CRT_GREEN
	10	GND
	11	CRT_BLUE
	12	GND
13	VGA_5V_FB	

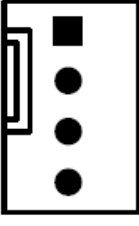
### 4 . Power jumper

BIOS battery supply.

	Pins	Signal
	1	3V battery
	2	GND

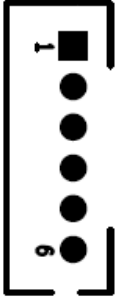
### 5 . Fan

Fan power out put.

	Pins	Signal
	1	GND
	2	FAN1_VCC_HDR
	3	FAN1_TAC_HDR
4	FAN1_PWM	

## 6 . LCD back light control

LCD back light on/off control. 5V or 12V

	Pins	Signal
	1	BACKLIGHT_5VOR12V
	2	BACKLIGHT_5VOR12V
	3	LVDS_BKL_EN
	4	LVDS_BKL_PWM_V
	5	GND
6	GND	

## 7 . LCD voltage selection

5V

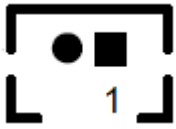


3.3V

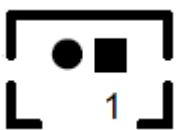


## 8 . 5V OUT

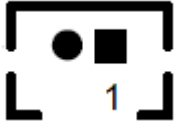
5V out put

	Pins	Signal
	1	5V
	2	GND


## 9 . Power on/off

	Pins	Signal
	1	PWRBT
	2	GND

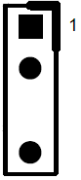
**10 . Reset**

	Pins	Signal
	1	RST
	2	GND

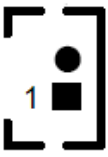
**11 . SATA power supply**

	Pins	Signal
	1	5V
	2	GND
	3	GND
4	12V	

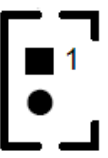
**12 . SPDIFO**

	Pins	Signal
	1	SPDIOF
	2	5V
	3	NC
4	GND	

**13 . Right Speaker**

	Pins	Signal
	1	OUTR+
2	OUTR-	

**14 . Left Speaker**

	Pins	Signal
	1	OUTL+
2	OUTL-	

If you have any questions:



Inform@tradecomp.com.br